

AURORA

RS1-L RS1-M RS1-S

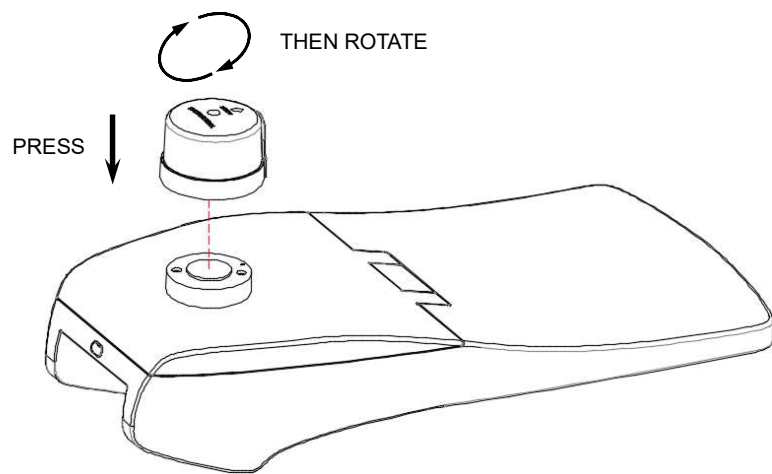
Installation manual



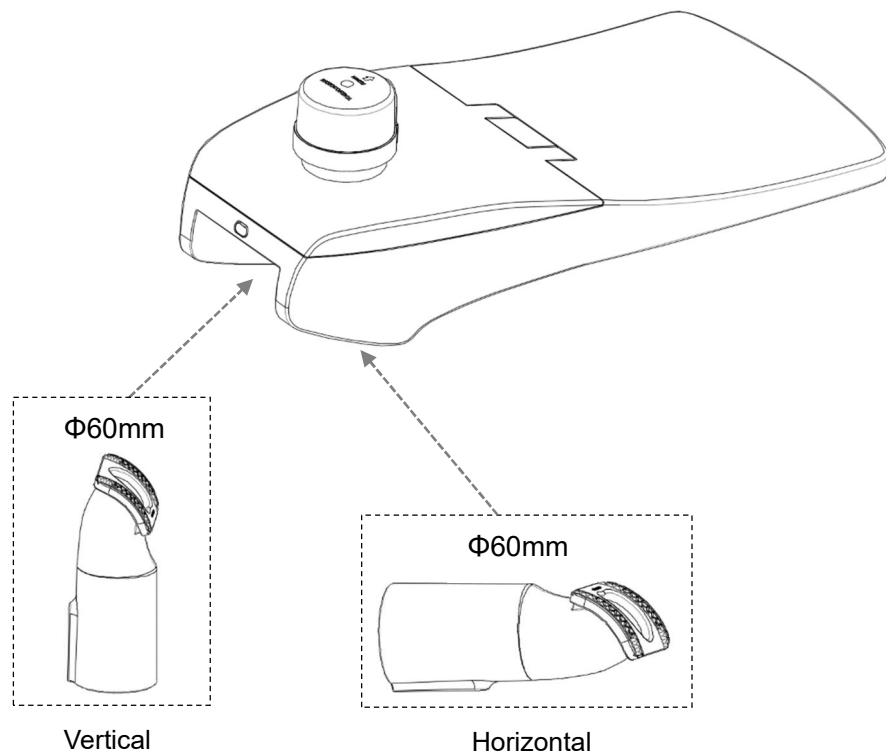
WARNING:

1. The safety of this fixture is guaranteed only if you comply with these instructions; remember to conserve a safe place.
2. Before opening the package, please check if there's damage or defect during transportation, if damage occurs, please don't use it and inform your supplier immediately. Please do not attempt to use a damaged product.
3. The product should be installed, dismantled and maintained by a qualified electrician; Suppliers don't take charge of any problems or damages that occur due to mishandling such as an operation not permitted in this manual.
4. Be certain electrical power is OFF before and during installation and maintenance.
5. Caution, risk of electric shock. ⚡

I



II



III

Vertical installation

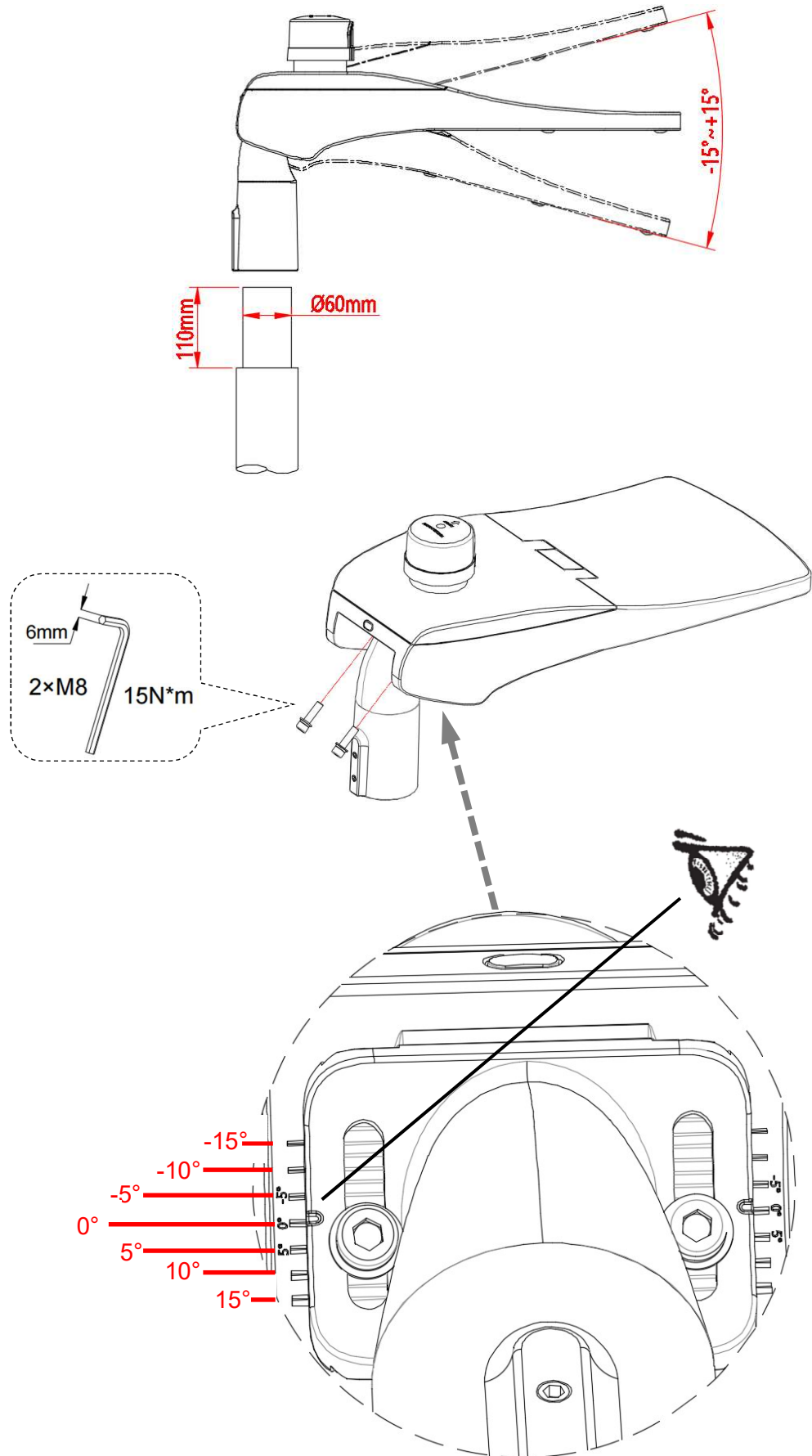
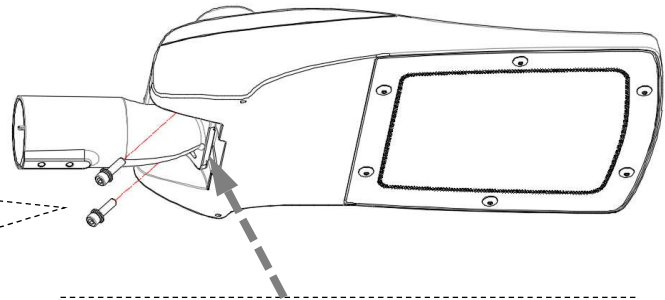
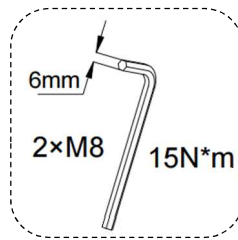
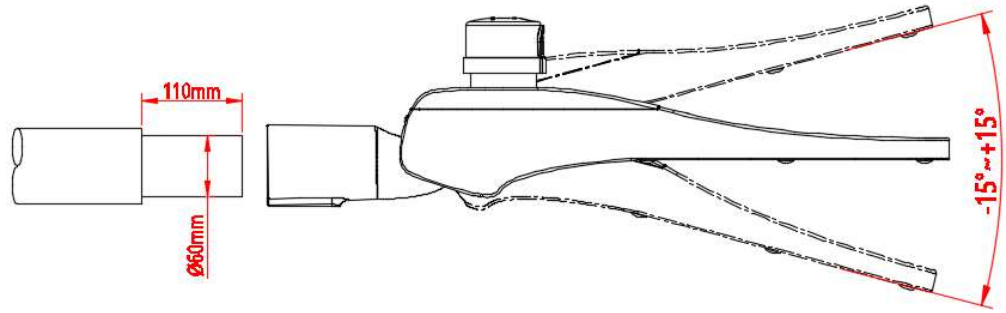


FIG1 Tick mark alignment

IV

Horizontal installation



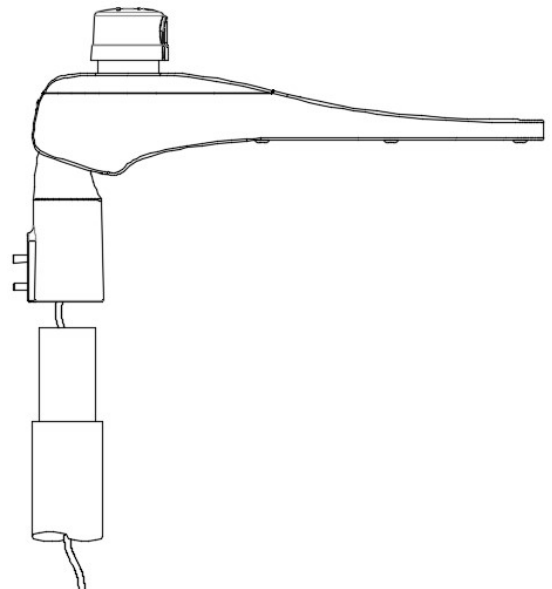
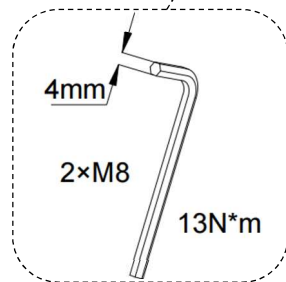
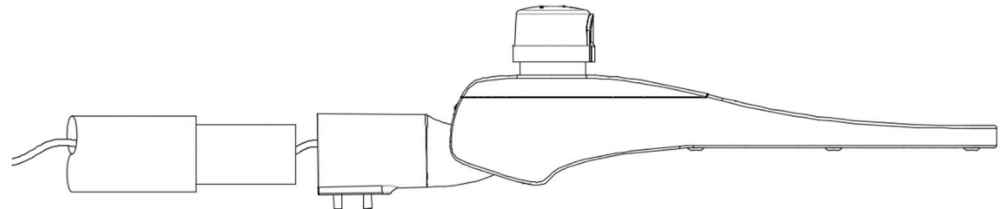
Tick marks need to be aligned, as shown in Figure 1

V

Brown: L
Blue: N
Yellow and green: ⊕



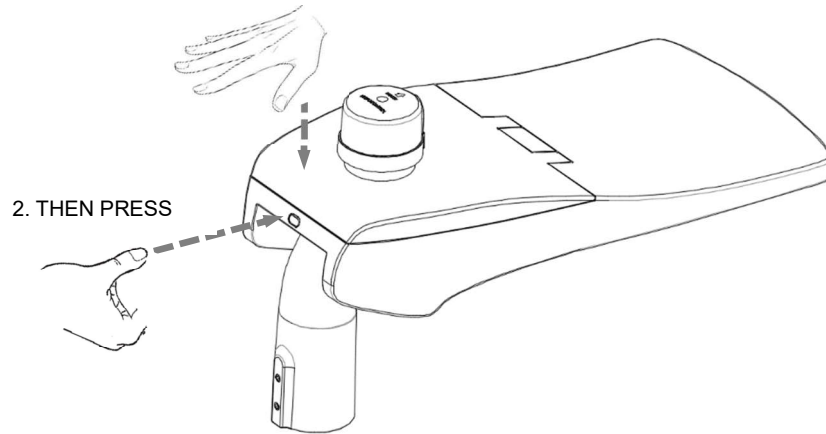
Brown: Dim+
Blue: Dim-



VI

How to open the cover

1. PUSH DOWN AND HOLD



3. OPEN

